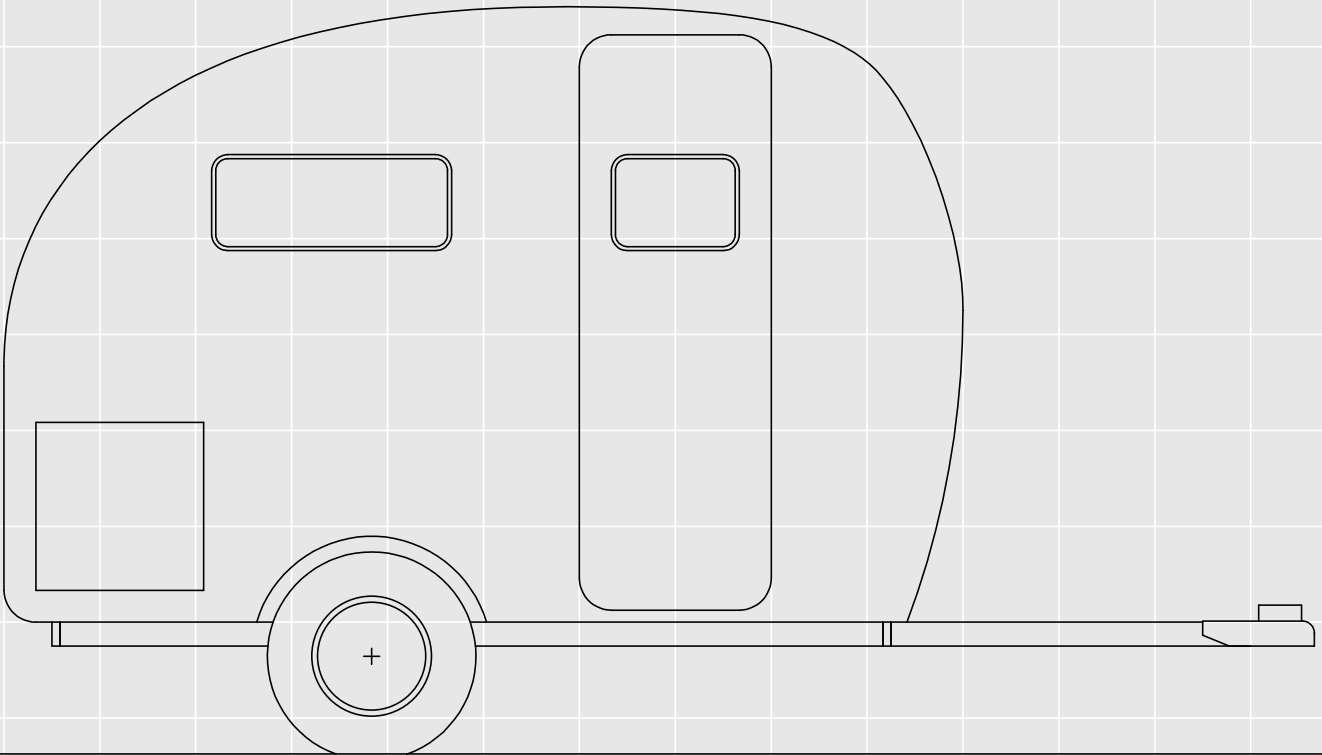
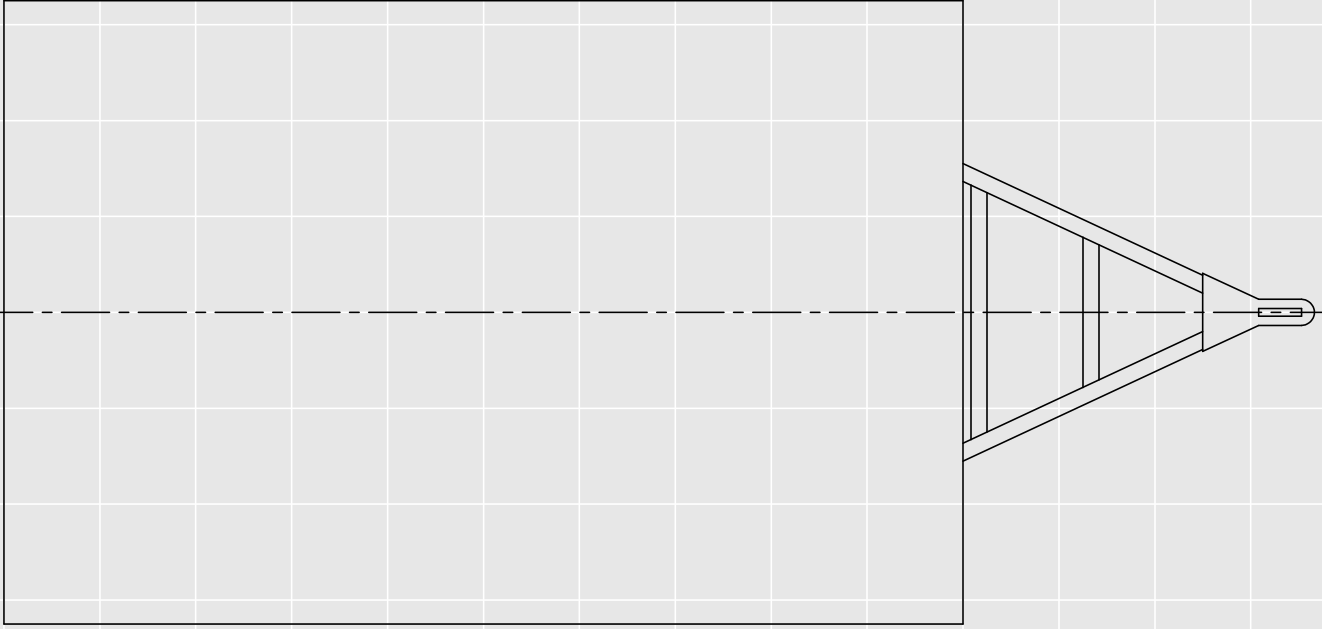
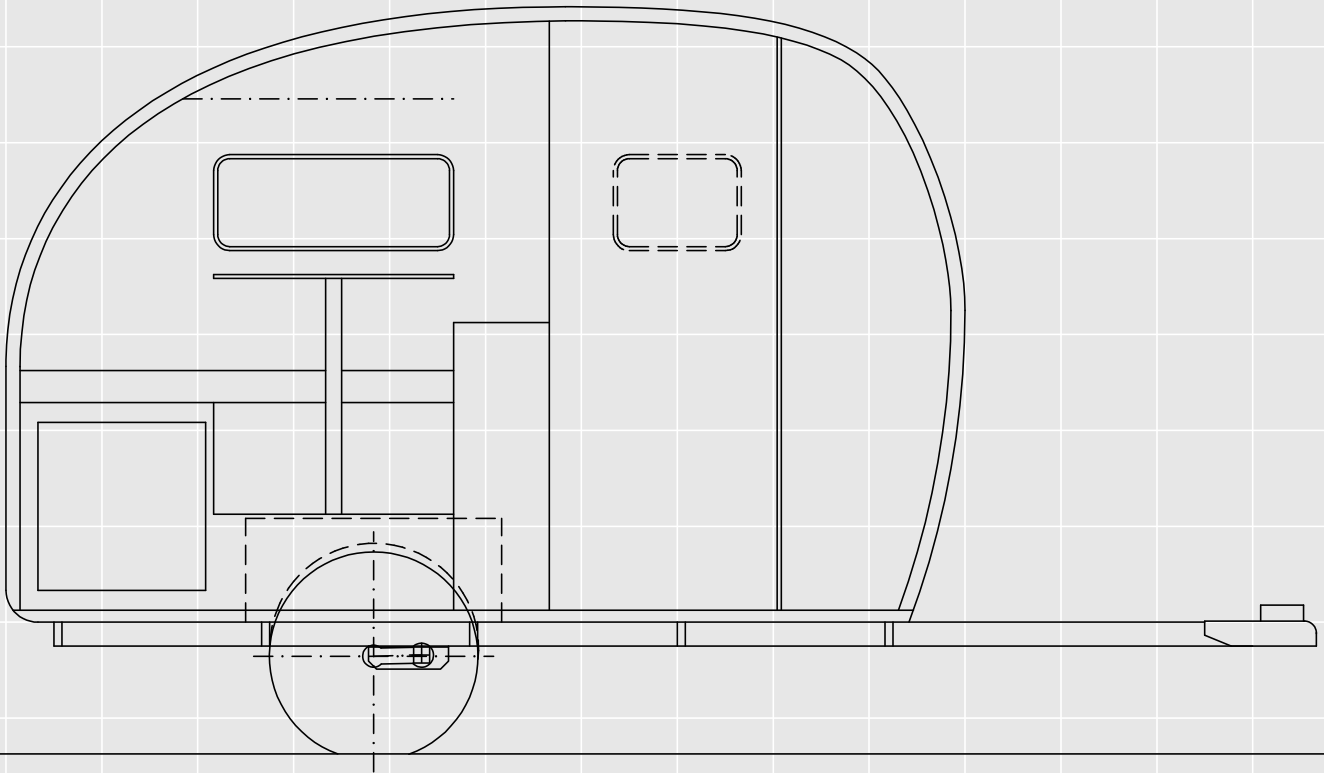
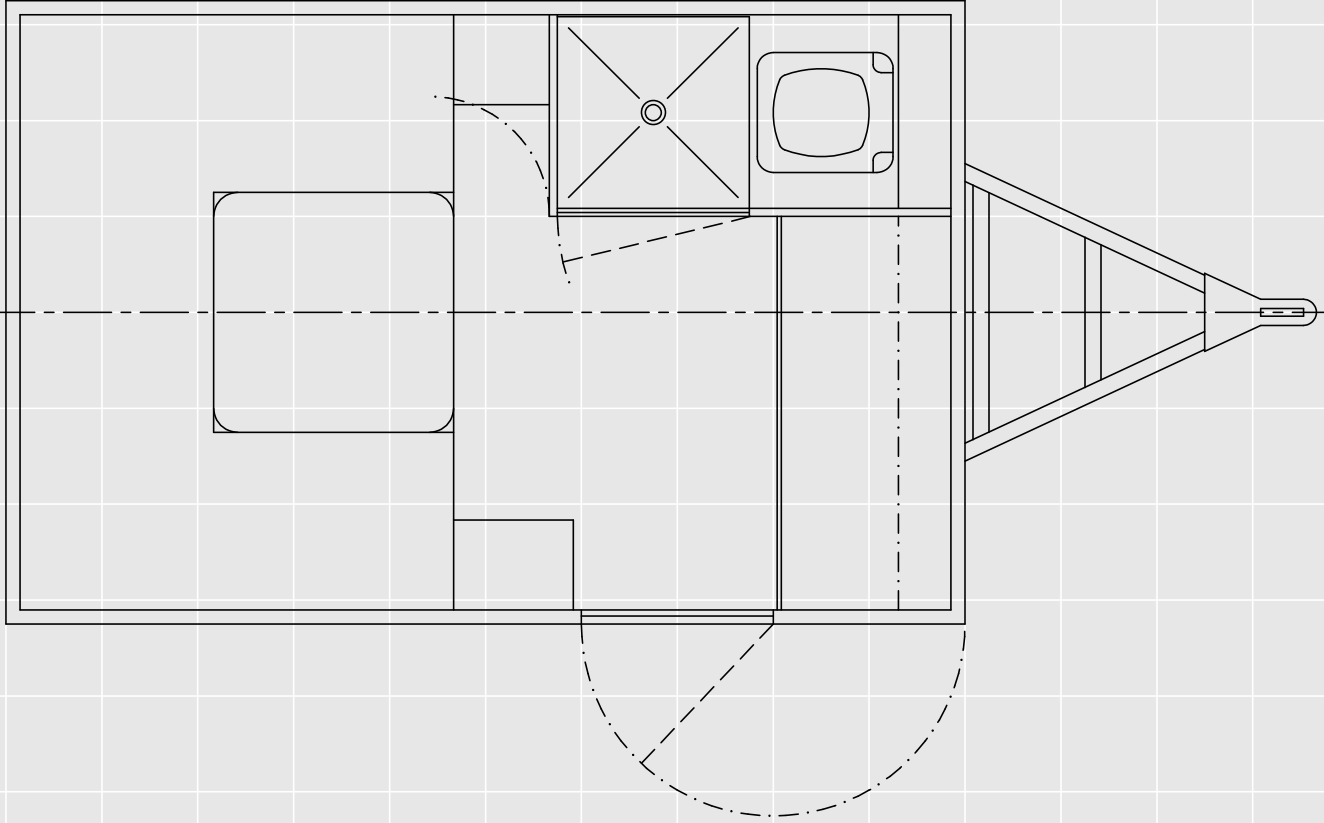


12"



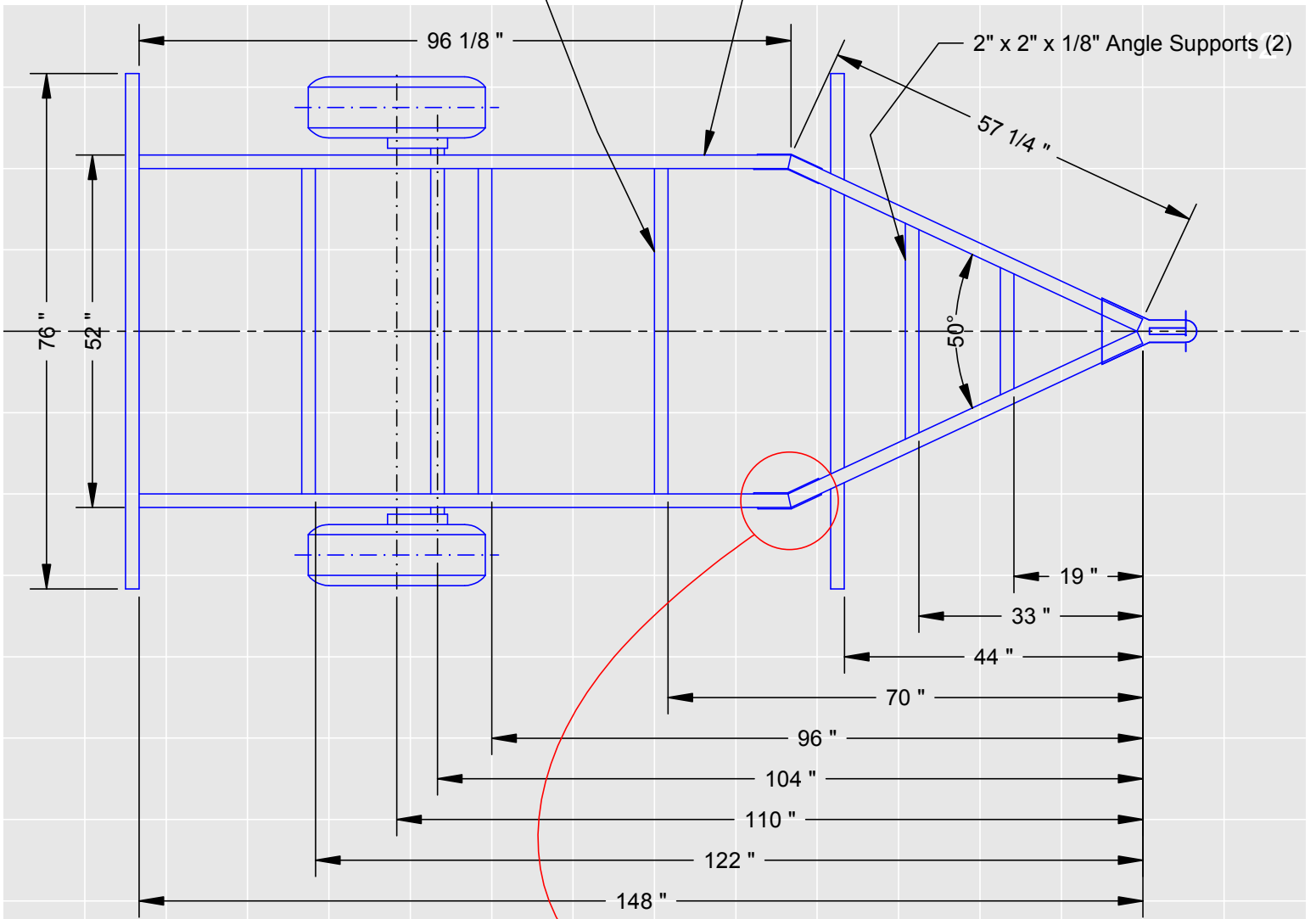
12"



3" x 2" x 1/8" Rect Tube Transverses (5)

3" x 2" x 3/16" Rect Tube Main Rails (2)

2" x 2" x 1/8" Angle Supports (2)



3/16" Fitch plates

2 1/2"

5"

5"

205/75R14 on Dexter #9,  
66" hubface, 0" offset,  
7" overhang, 22.5deg down.

